

Li-Fi Based High Data Rate Visible Light Communication for Data and Audio Transmission

S.Poorna Pushkala¹, M.Renuka², V.Muthuraman³, Mydavolu Venkata Abhijith⁴ and S.Satheesh Kumar⁵

*Department of Electronics and Communication Engineering,
Rajalakshmi Engineering College, Chennai, India.*

Abstract

Light Fidelity (Li-Fi) is a data transfer technique that uses light. Light is analogous not only to illumination but also to speed. Li-Fi is also much secured since light cannot pass through walls. It uses visible light portion of the electromagnetic spectrum to transmit information. Hence the visible light communication solves the problem of radio frequency congestion. In this project we transmit data and audio through light at very high data rates without use of microcontrollers and its other peripheral devices.

Keywords: Visible light, Secured, High Speed

I. INTRODUCTION

Light Fidelity (Li-Fi) is a bidirectional, high-speed and fully networked wireless communication technology similar to Wi-Fi. Li-Fi is the term some have used to label the fast and cheap wireless communication system, which is the optical version of Wi-Fi. Li-Fi uses visible light instead of Gigahertz radio waves for data transfer.

The term was coined by Harald Haas and is a form of visible light communication and a subset of optical wireless Communications (OWC) and could be a complement to RF communication (Wi-Fi or cellular networks), or even a replacement in contexts of data broadcasting. The light waves cannot penetrate walls which makes a much shorter range, though more secure from hacking, relative to Wi-Fi.

Direct line of sight is not necessary for Li-Fi to transmit a signal; light reflected off the walls can achieve 70 Mbit/s. The term Li-Fi was first used by Haas in his TED Global talk on Visible Light Communication. According to Haas, the light, which he referred to as D-Light, can be used to produce data rates higher than 10 megabits per second which is much faster than our average broadband connection.

Li-Fi can play a major role in relieving the heavy loads which the current wireless systems face since it adds a new and unutilized bandwidth of visible light to the currently available radio waves for data transfer. The visible spectrum is the portion of the electromagnetic spectrum that is visible to the human eye. Electromagnetic radiation in this range of wavelengths is called visible light. A typical human eye will respond to wavelengths from about 390 to 700 nm. The dramatic growth in the use of LEDs (Light Emitting Diodes) for lighting provides the opportunity to incorporate Li-Fi technology into a plethora of LED environments. Li-Fi is particularly suitable for many popular internet “content consumption” applications such as video and audio downloads, live streaming, etc. These applications place heavy demands on the downlink bandwidth, but require minimal uplink capacity. In this way, the majority of the internet traffic is off-loaded from existing RF channels, thus also extending cellular and Wi-Fi capacities.

Although Li-Fi LEDs would have to be kept on to transmit data, they could be dimmed to below human visibility while still emitting enough light to carry data. It offers much larger frequency band (300 THz) compared to that available in RF communications (300GHz). Researchers reached bit rate of 224 GB/s which is 100s of times faster than our average WI-FI connection at home or office. Also, more data coming through the visible spectrum could help alleviate concerns that the electromagnetic waves that come with Wi-Fi could adversely affect our health. Li-Fi can be the technology for the future where data for laptops, smart phones, and tablets will be transmitted through the light in a room.

II. EXISTING DATA & AUDIO COMMUNICATION USING LI-FI

A. DATA TRANSMISSION AND RECEPTION

Optical wireless technologies called visible light communication (VLC) are more recently referred to as LiFi, offers an entirely new paradigm in wireless technologies in terms of communication speed, flexibility and usability. LEDs (Light Emitting Diodes) are recognized in the terms of green lighting resource because they contain no hazardous materials such as mercury emitted by fluorescent lamps LED's have a unique ability that goes beyond their use as energy-efficient lighting devices. They can be switched on and off within nanoseconds, which makes them super-fast transmitters of binary data. This flickering occurs faster than the eye can see, so even LED's used for room lighting can be used to transmit data.

Transmitter Section:

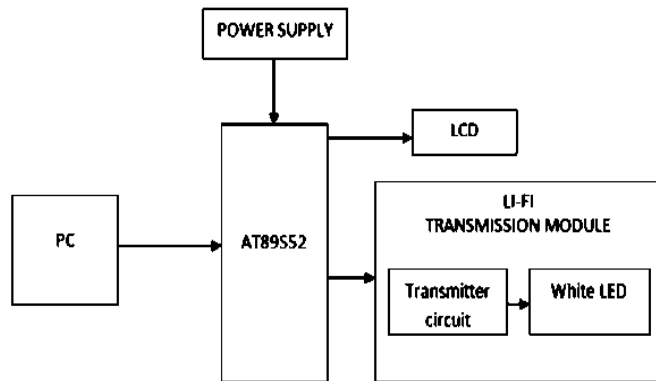


Fig.No. 1 Transmitter block diagram using Atmel

Receiver Section:

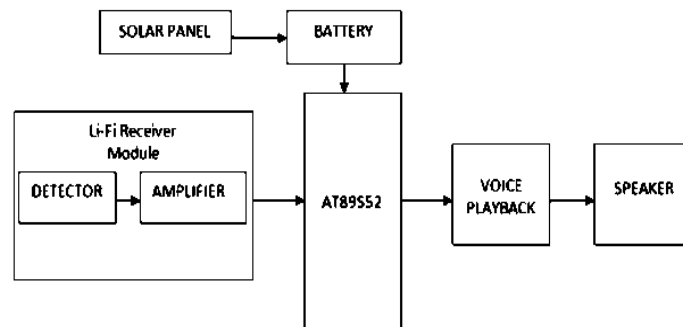


Fig.No. 2 Receiver block diagram using Atmel

The system architecture consists of a transmit section and a receive section. The transmit section consists of the data input which is then fed into Atmel AT89S52 and then to a transmission module consisting of transmitter circuit and LED. Based on the data, the switching control generates a stream of 1s and 0s thereby encoding the data in binary. The output of this control is given to the array of LED's which turn OFF and ON at extremely high speeds. This ON-OFF modulation of the LED light transmits the data. The receive section consists of a photodiode, e.g. silicon photo detector or an Infrared germanium cylindrical detector. The photo detector demodulates the incoming received signal based on the sequence of 1s and 0s. The demodulated signal is then sent to a filter to remove unwanted noise. This filtered signal is then amplified using signal amplification mechanism. The filtered and amplified signal is then given to an output device such a speaker.

The input signal is thus remotely transmitted and received. Thus, a Li-Fi network is established

Transmitter

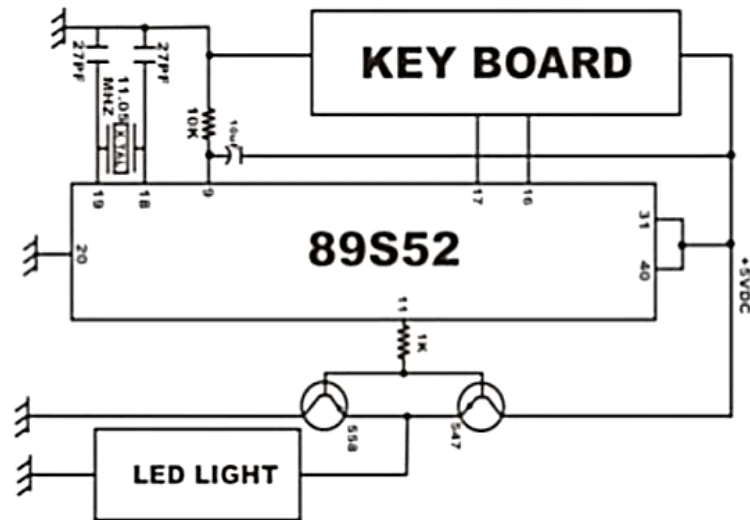


Fig.No. 3 Transmitter circuit using Atmel

Receiver

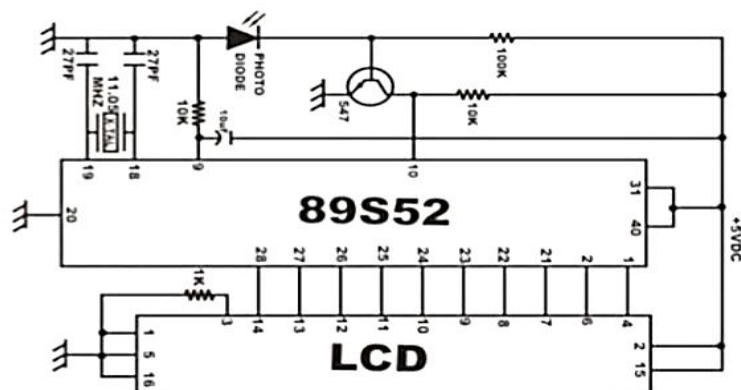


Fig.No. 4 Receiver circuit using Atmel

B. AUDIO TRANSMISSION AND RECEPTION

The circuit consists of two parts, which are receiver and transmitter. The transmitter consists of 3 transistors and few passive components paired with 1 watt LED. Which will changes its brightness with respect to audio signal. But changes in brightness due to audio signal will not visible to human eye. We only see static illumination of white LED. The receiver consists of a photo detector (here I used solar cell) which is paired with an amplifier. The sound output is given by the speaker. The transmitter is transistorized amplifier which consists of 3 amplifiers connected in parallel to drive the 1 watt white LED. Each transistor base consists of voltage divider which gives necessary bias for the individual transistor. The input stage has capacitors at each transistor's base for blocking DC signals which could degrade the quality of output.

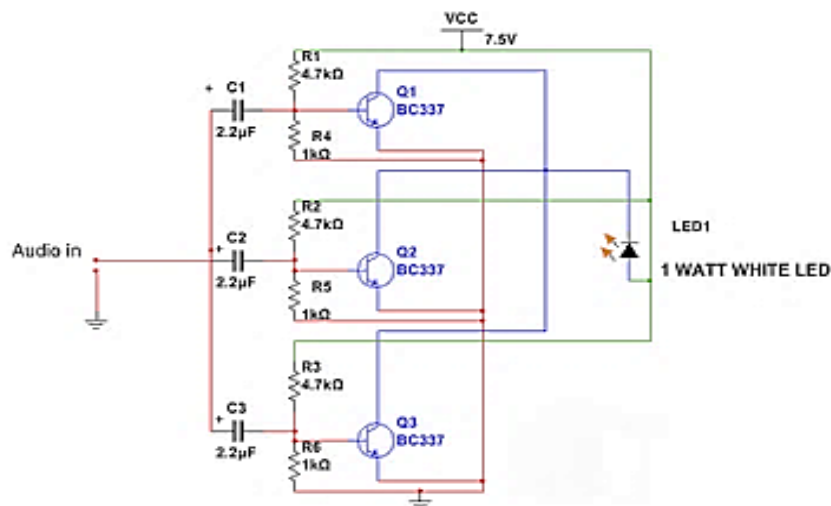


Fig.No. 5 Audio Transmitter Circuit

The receiver consists of a 6 volt solar cell (3 volts above works fine) in series with 2.2uf capacitor which is paired with an amplifier. The amplifier need not to be the same illustrated here, but you can use any amplifier lying around your house. But make sure it as good sensitivity.

III. PROPOSED METHOD

DATA TRANSMISSION AND RECEPTION

The main advantage is visible light's frequency spectrum bandwidth, which ranges from 430 THz to 750 THz. The bandwidth is much larger than the radio frequency bandwidth, which ranges from 3 kHz to 300 GHz. A new generation of high brightness light-emitting diodes forms the core part of light fidelity technology. The

logic is very simple. If the LED is ON, a digital 1 is transmitted, if the LED is OFF, a digital 0 is transmitted. These high brightness LEDs can be switched on and off very quickly which gives us a very nice opportunities for transmitting data through light.

The input data is given as a input to the X-CTU software.

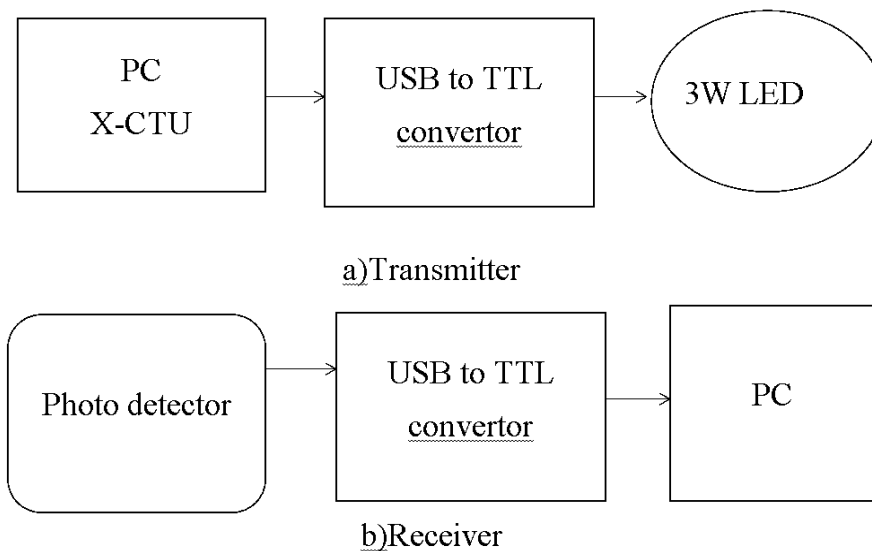


Fig.No.6 Block diagram of proposed data transfer system

XCTU is a multi-platform application compatible with Windows, Mac OS and Linux. Graphical Network View for simple wireless network configuration and architecture. It includes new tools that make it easy to set-up, configure and test X-Bee RF modules. The speed of data transmission in serial communication is specified by baud rates. Asynchronous data transfer is used for the serial communication which is done at a lower speed, typically at standard rates such as 2400, 4800, 9600, 19200 baud etc.

Here the input data's (character/numbers) corresponding ASCII value is generated and simultaneously converted to BINARY and given to the LED .The laptop and the circuit is interfaced using a TTL to USB convertor.

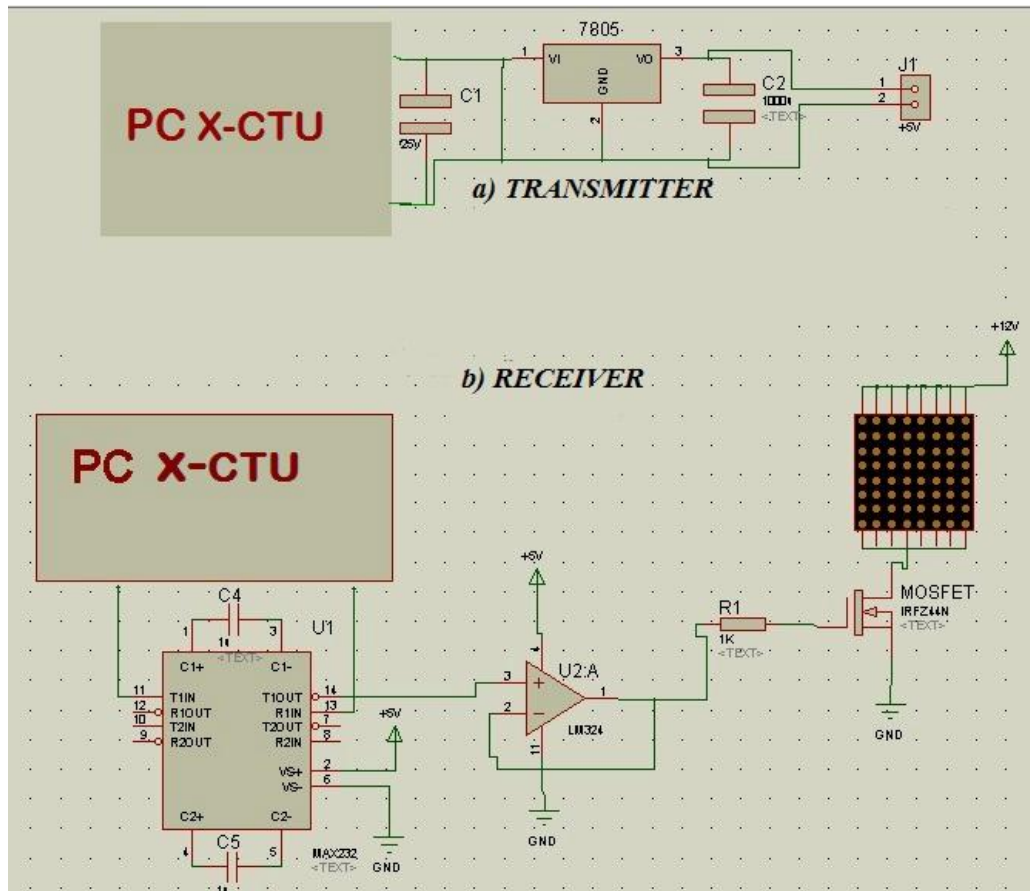


Fig.No.7 Circuit diagram of proposed data transfer system

The receiving terminal also comprises of similar hardware except for the photo detector to track the data sent through the light from the led system. It consists of the phototransistor as a light sensor, whose output is fed to a comparator built using low power OP-AMP The comparator circuit makes the DATA IN into binary compatible levels. Even though the amount of light falling on the phototransistor varies, the comparator ensures that it is modified to a correct binary level .The corresponding flickering to the BINARY 1s & 0s is performed continuously to form a data in the form of an array. This is done to obtain data rates in the range of hundreds of megabits per second. The LED intensity is modulated so rapidly that human eye cannot notice, so the light of the LED appears constant to humans.

The receiving section is interfaced with another laptop where the received data (from the transmitter) is seen in the X-CTU software, where the BINARY value that is converted to ASCII values and the output is displayed in the XCTU terminal of the laptop.

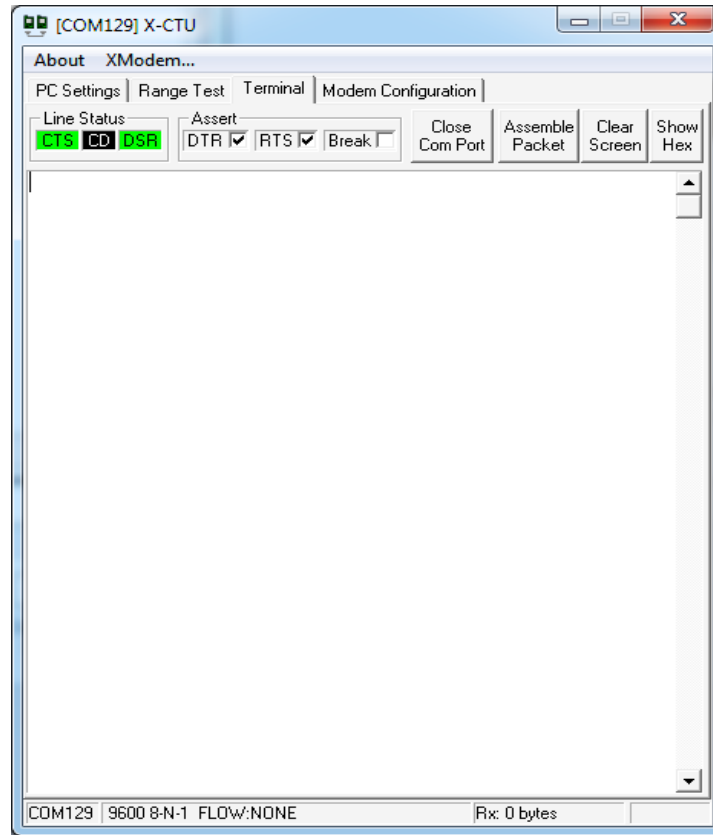


Fig.No.8 X-CTU software

Most XBee's operate on the 2.4GHz 802.15.4 band, and the channel further calibrates the operating frequency within that band. You can usually leave the channel setting alone, or at least make sure every XBee you want to have on the same network operates on the same channel.

AUDIO TRANSMISSION AND RECEPTION

The analog input is given through the AUX cable. Here analog input in form of music, which is connected with the biasing circuit consisting of BC337 transistors paired with passive components and connected to the 1W LED .The transmitted signal from the LEDs has to be detected and acknowledged. So in order to detect the message signal from the blinking led light we use a solar cell which comprises large number of photocells connected in series.

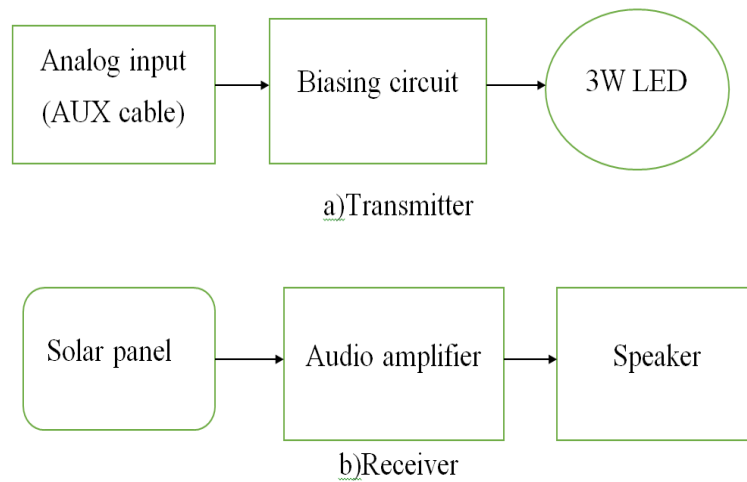


Fig.No.9 Block Diagram of proposed audio transfer system

The solar cell detects the variation in light, since the blinking can be easily detected and output of the solar cell will be in analog form. So using solar cell we could detect and demodulate the message signal transmitted. The demodulated signal will be at low voltage range.

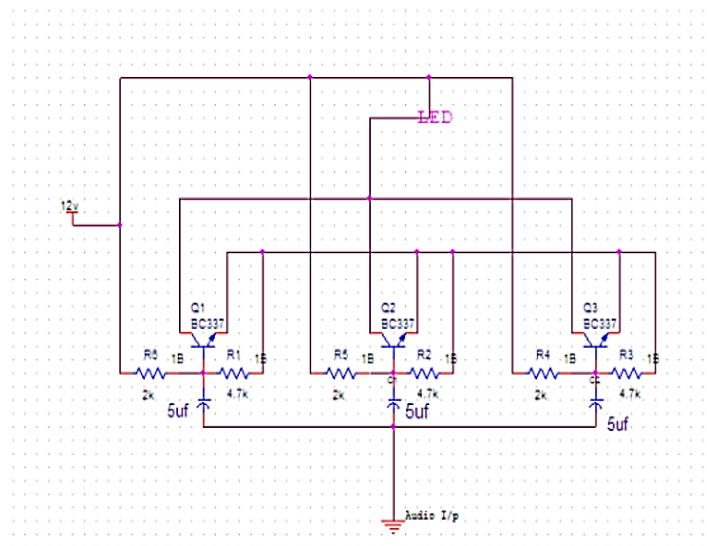


Fig.No.10 Circuit diagram of proposed audio transfer system

So it is amplified to an arbitrary voltage level using an audio amplifier. The audio amplifier is provided with a supply of 9V but it can accept only till 5V. Therefore a

7805 Voltage regulator is used to maintain the output voltage at a constant value. The output signal from the audio amplifier is given to the speaker. The speaker is interfaced with the audio amplifier. The input audio signal transmitted is obtained as output in the speaker. In order to prove the audio output received from our experiment is same as the input audio signal, we have plotted the waveform diagrams of the corresponding input and output audio signals using MATLAB.

IV. EXPERIMENTAL RESULTS AND DISCUSSIONS

DATA TRANSMISSION RECEPTION USING Li-Fi

From the above working we have obtained with these results. Here the distance of the reach of the light varies according to its environment such as fog, Smog, dust, etc.. We have tested with 3 different cases as with

- Clear path of sight
- Fog in path of sight
- Dust in path of sight

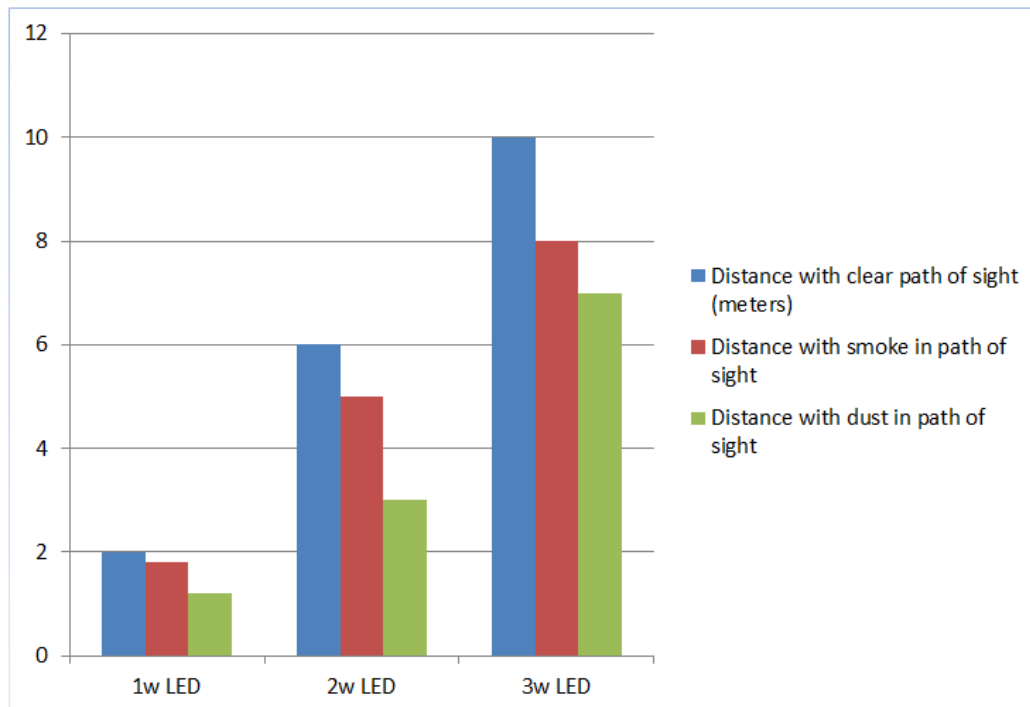


Fig.No.11 Comparison of different LEDs and distance travelled by light ray under different conditions

We have found that the distance reached by the light ray with clear path of sight is maximum when compared with the distance reached with fog and dust in the path of sight.

The input voltage consumed by the existing and the proposed model is shown below:

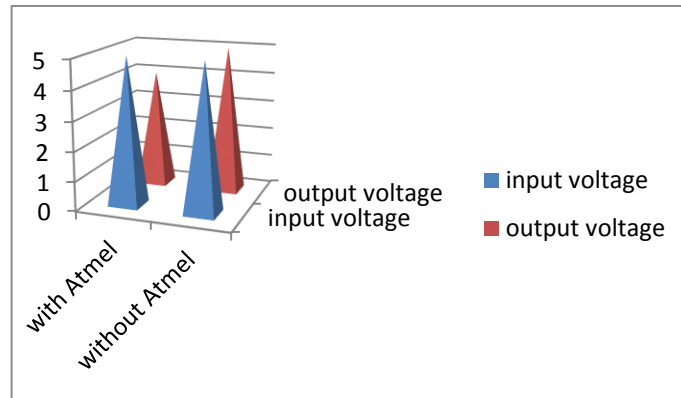


Fig.No.12 Comparison between voltage consumed by proposed model and Atmel

Here the input is a constant 5V. But the output voltage fed to the LED in our project is the same 5V whereas in Atmel the voltage fed to LED is only 4V and 1V is consumed by the circuit.

The comparison is done with the existing system (using Atmel) and with our proposed system.

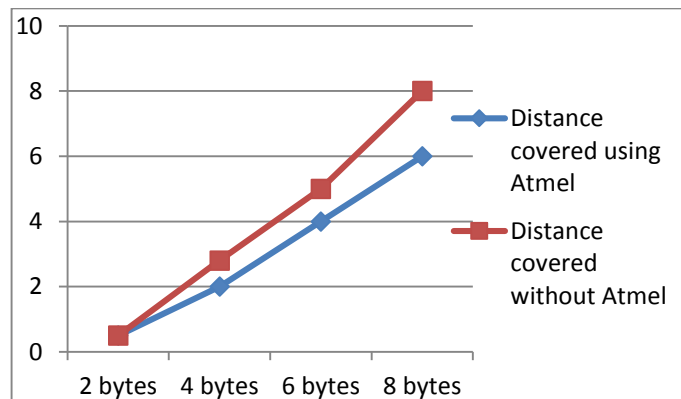


Fig.No.13 Comparison of distance covered in Atmel and proposed model in carrying bytes of data

The distance covered by the light ray is maximum in our proposed system when compared with the existing system. To transmit a data of 8bytes the distance covered is 6meters in existing system whereas the distance reached in our proposed system is 8meters.

AUDIO TRANSMISSION RECEPTION USING Li-Fi

Similarly the waveforms are plotted for the input and output audio signals using MATLAB. The input analog signal from the transmitter circuit and the output signal received at the other end of the circuit is recorded and the waveforms are plotted accordingly.

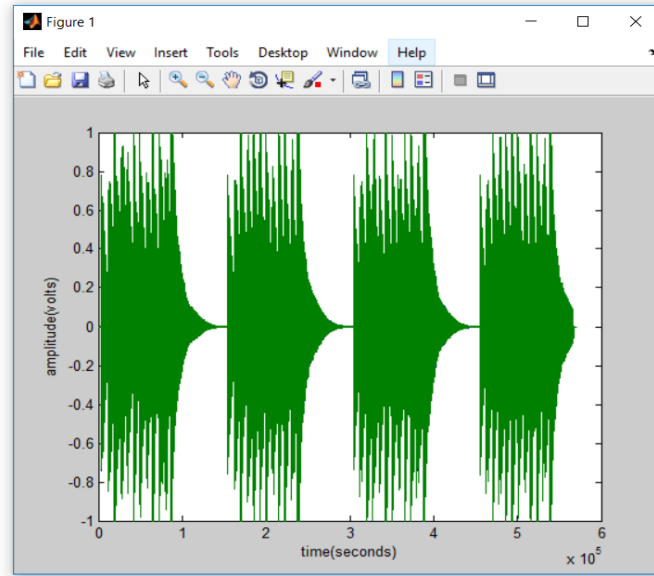


Fig.No.14 Transmitted Audio

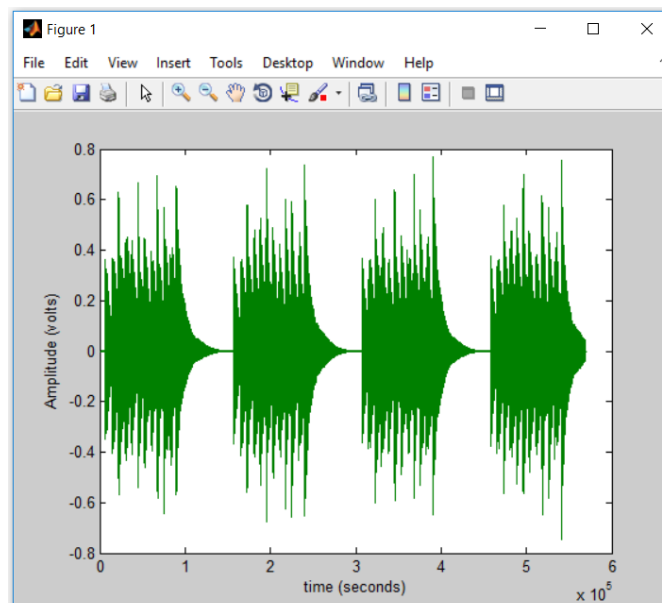


Fig.No.15 Received Audio

By comparing the above two waveforms, we have proved that the signal sent and received are almost same.

V. CONCLUSION

Li-Fi is the trend of today and near future. It is one of the cheapest and efficient mode of data transfer. These methods can be used to transfer data and audio in a better way. Based on the observations and the graphical results obtained from the proposed circuitry it is clear that the transfer of data and audio without the use of microcontrollers is much more efficient and powerful.

VI. ACKNOWLEDGEMENT

We sincerely thank Mr.S.Richard Jebasingh and Mr.P.Sravanan, Assistant Professors, Department of ECE, Rajalakshmi Engineering College for their valuable support in completing this project.

REFERENCES

- [1] K. Lakshmisudha, Divya Nair, Aishwarya Nair, Pragya Garg” Li-Fi (Light Fidelity)”, *International Journal of Computer Applications* (0975 – 8887) Volume 146 – No.15, July 2016
- [2] Mr. Shailendra Yadav and, Mr. Pradeep Mishra “LI-FI Technology for Data Transmission through LED” in *Imperial Journal of Interdisciplinary Research (IJIR)* Vol-2, Issue-6, 2016
- [3] Deepali Bajaj, Isha Mangal, Asha Yadav, “Towards an understanding of Li-Fi: Next generation Visible Light Communication Technology, *Volume 4 Issue 4 (April 2015)*
- [4] Anil jaykumar chinchawade, Prof. K.Sujatha “light based Audio transmission with home\office automation system” Vol. 5, Issue 7, July 2016
- [5] S.Dimitrov and H.Haas, principle of LED light communication: toward networked Li-Fi. Cambridge University press, Mar 2015.
- [6] Nikhil Gujral, “LiFi(LED Based Data Transfer),*International journal on recent and innovation in computing and communication*,vol:4 issue:3
- [7] Girish Radakrishnan, “How to make simple LiFi circuit”, Feb2015
- [8] Li-Fi (LED Based Data Transfer) Nikhil Gujral , Sagar Dolas, in *International Journal on Recent and Innovation Trends in Computing and Communication* ISSN: 2321-8169 Volume: 4 Issue: 3

[9] Liju Sajan¹ , Lince Mathew² , Abraham Thomas³ , Sarun Sathyan⁴, Bibin Baby”
WIRELESS DATA TRANSFER USING VISIBLE LIGHT COMMUNICATION”
IJRET: International Journal of Research in Engineering and Technology.

[10] Harald Haas and C.Chen, ”What is Li-Fi” in journal of light wave technology, July 2011

[13] H.Haas, “wireless data from every light bulb,” TED Website, Aug 2011.

Authors



Ms.S.Poorna Pushkala is currently pursuing B.E in Electronics and Communication Engineering from Rajalakshmi Engineering College, Chennai. Her areas of interests are Analysis and Design of Antennas, Optical Fiber Networks and Wireless Sensor Networks.



Ms.M.Renuka is currently pursuing B.E in Electronics and Communication Engineering from Rajalakshmi Engineering College, Chennai. Her area of interests are Optical Communication System, Robotics and Embedded Systems.



Mr.V.Muthuraman is currently pursuing B.E in Electronics and Communication Engineering from Rajalakshmi Engineering College, Chennai. His area of interests are Visible Light Communication, Embedded Systems and Design of Antennas.



Mr.Mydavolu Venkata Abhijith is currently pursuing B.E in Electronics and Communication Engineering from Rajalakshmi Engineering College, Chennai. His area of interests are Optical Fiber Networking, Visible Light Communication and Image Processing



Mr.S.Satheesh Kumar is an active Assistant Professor at Rajalakshmi Engineering College, Chennai. He was born in 1991 and accomplished his Master of Engineering degree in Communication Systems at PSG College of Technology, Coimbatore and completed his Bachelor of Engineering under Anna University, Chennai. He is also experienced with software tools like MATLAB, Verilog, ADS, C-Programming and Qualnet. He is also a member of IEEE and Associate Member of IETE. He was elected as Student of the week by IEEE student society of USA in the month of October 2014. He have participated in various International Conferences and published papers in several International Journals. His research focus includes Speech and Audio Signal Processing, RF and Microwave Engineering, Artificial Neural Networks, Continuous Speech Recognition Systems, Consumer Electronics and Error Control Coding.

